

Electrodes Position

3D Goelectrical Analysis  
48 CH



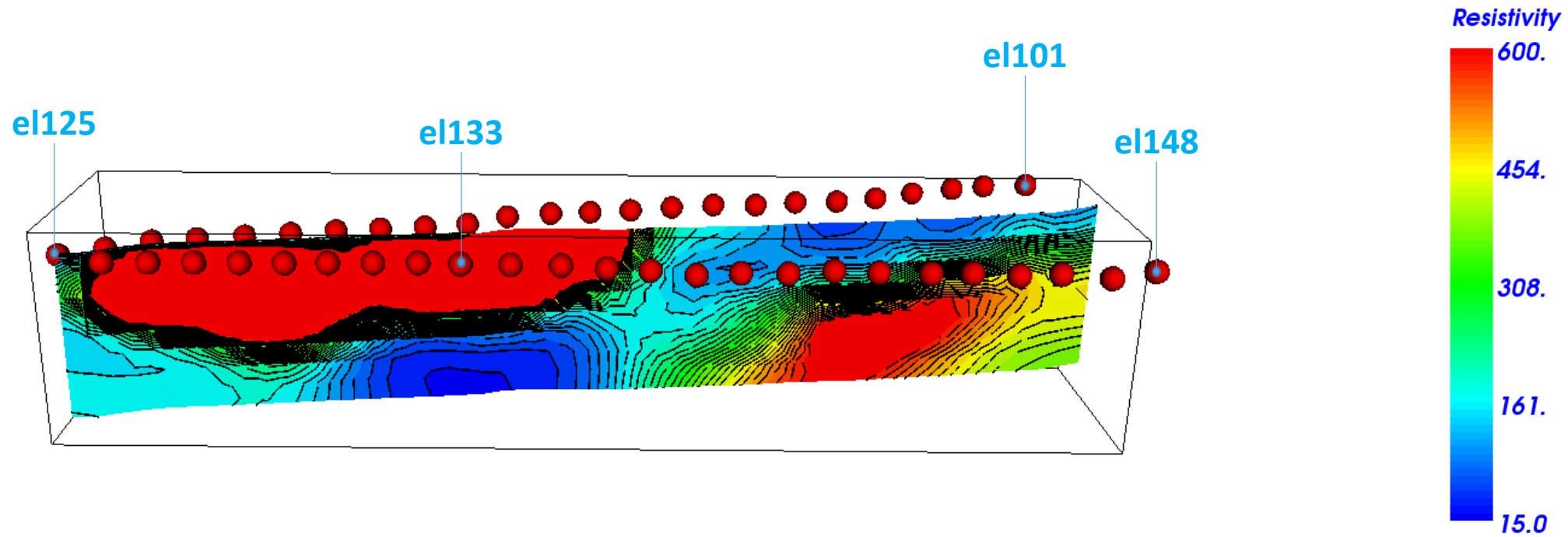
Anomaly detected

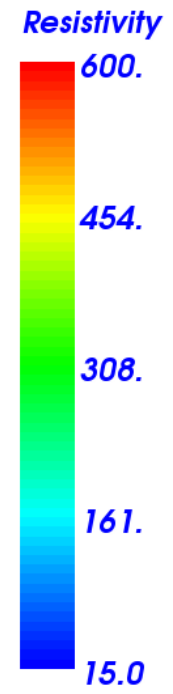
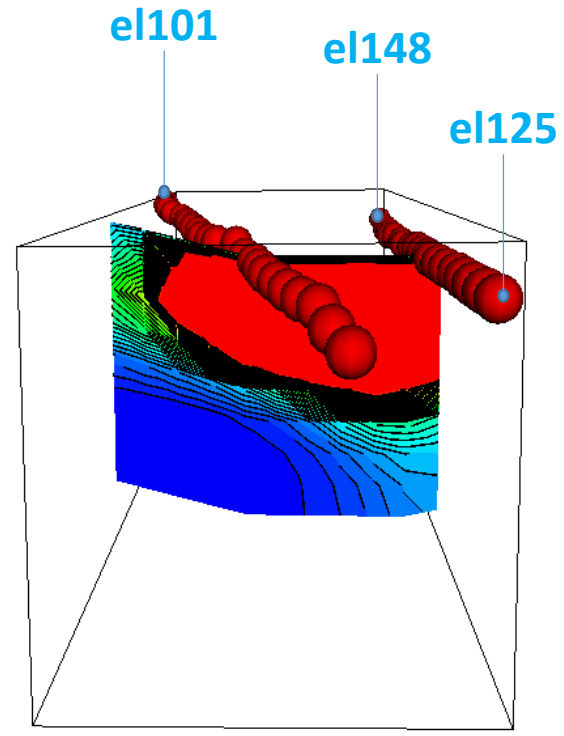
Google earth

2003

© 2016 Google

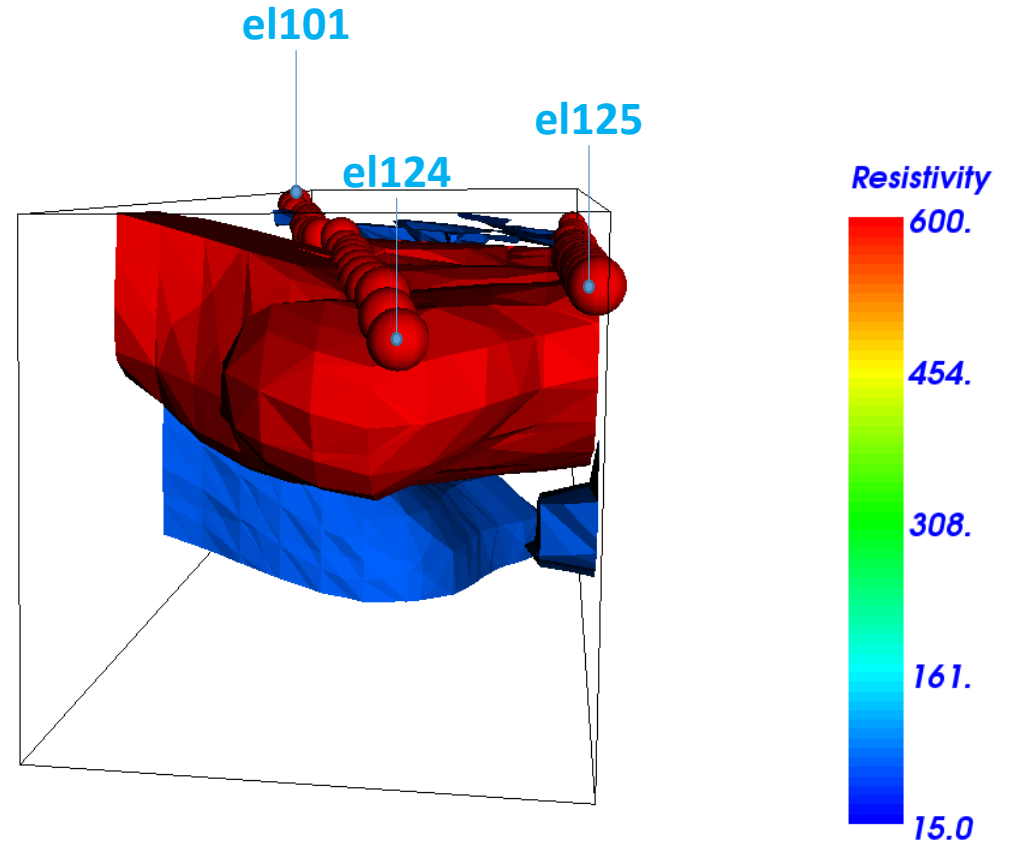
Data di acquisizione delle immagini: 6/9/2014 32 T 615663.45 m E 4874527.50 m N elev 495 m alt 573 m





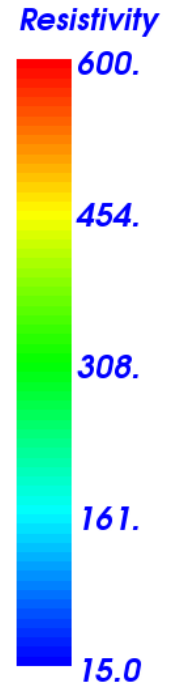


View 1



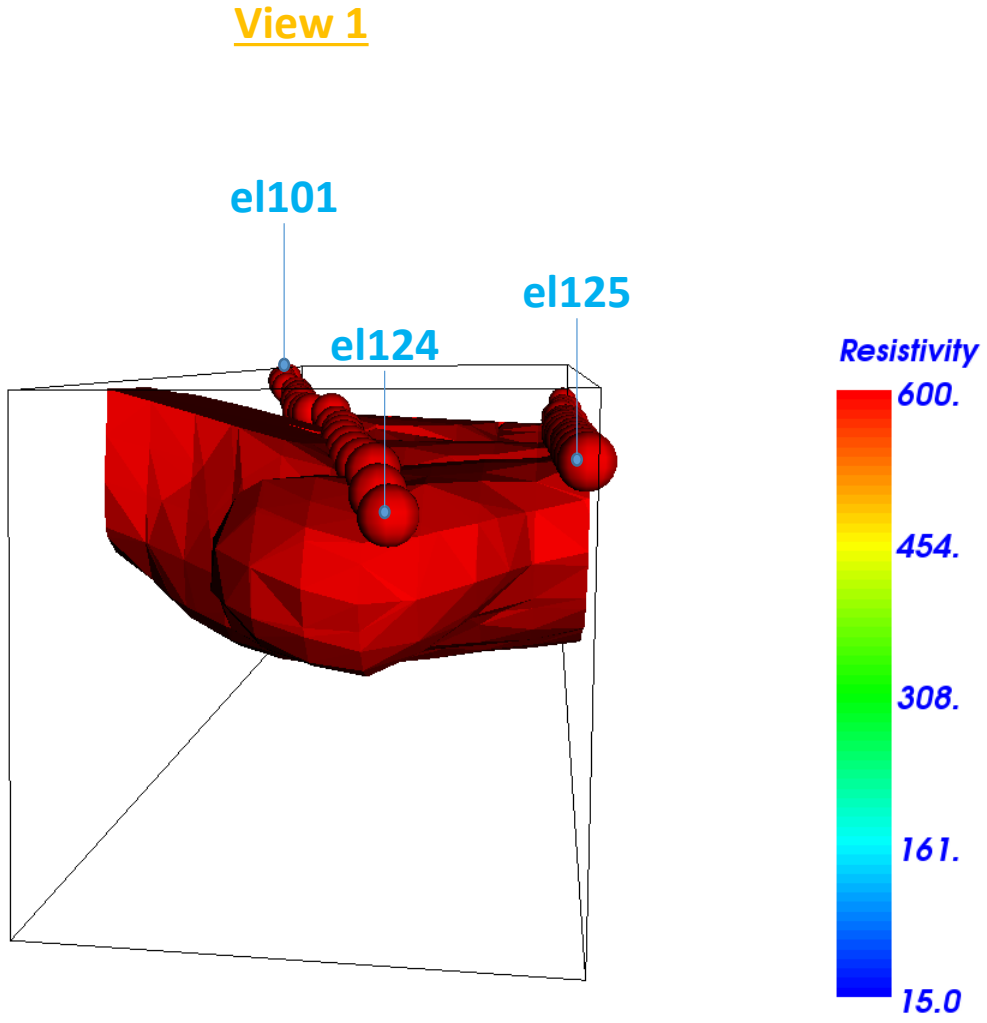
Volume resistivity  
 $\rho \geq 1000 \text{ Ohm}\cdot\text{m}$

Volume resistivity  
 $0.1 \text{ Ohm}\cdot\text{m} \leq \rho \leq 70 \text{ Ohm}\cdot\text{m}$



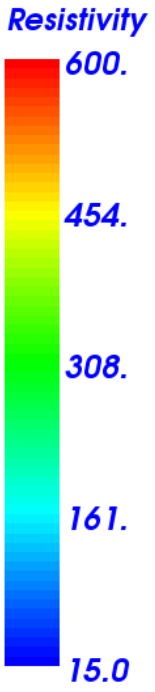
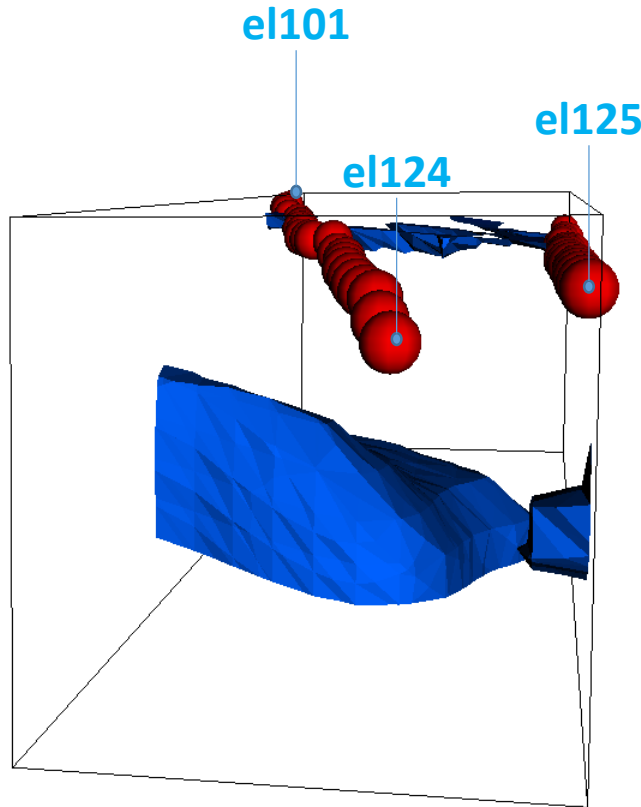


Volume resistivity  
 $\rho \geq 1000 \text{ Ohm}\cdot\text{m}$





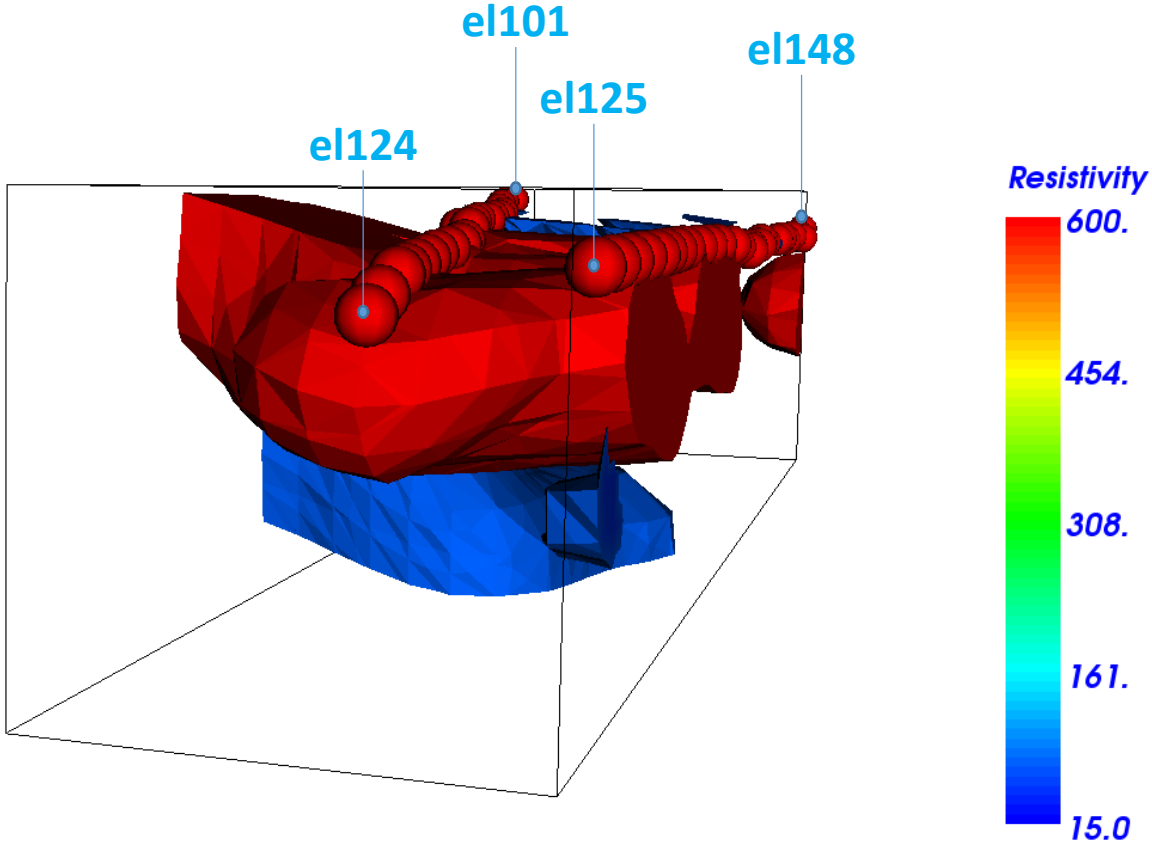
View 1



Volume resistivity  
 $0.1 \text{ Ohm}\cdot\text{m} \leq \rho \leq 70 \text{ Ohm}\cdot\text{m}$

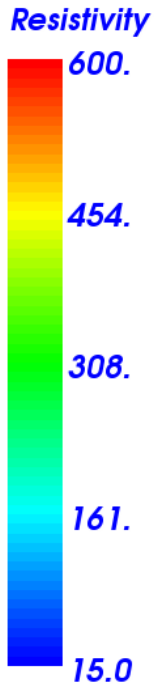


View 2



Volume resistivity  
 $\rho \geq 1000 \text{ Ohm}\cdot\text{m}$

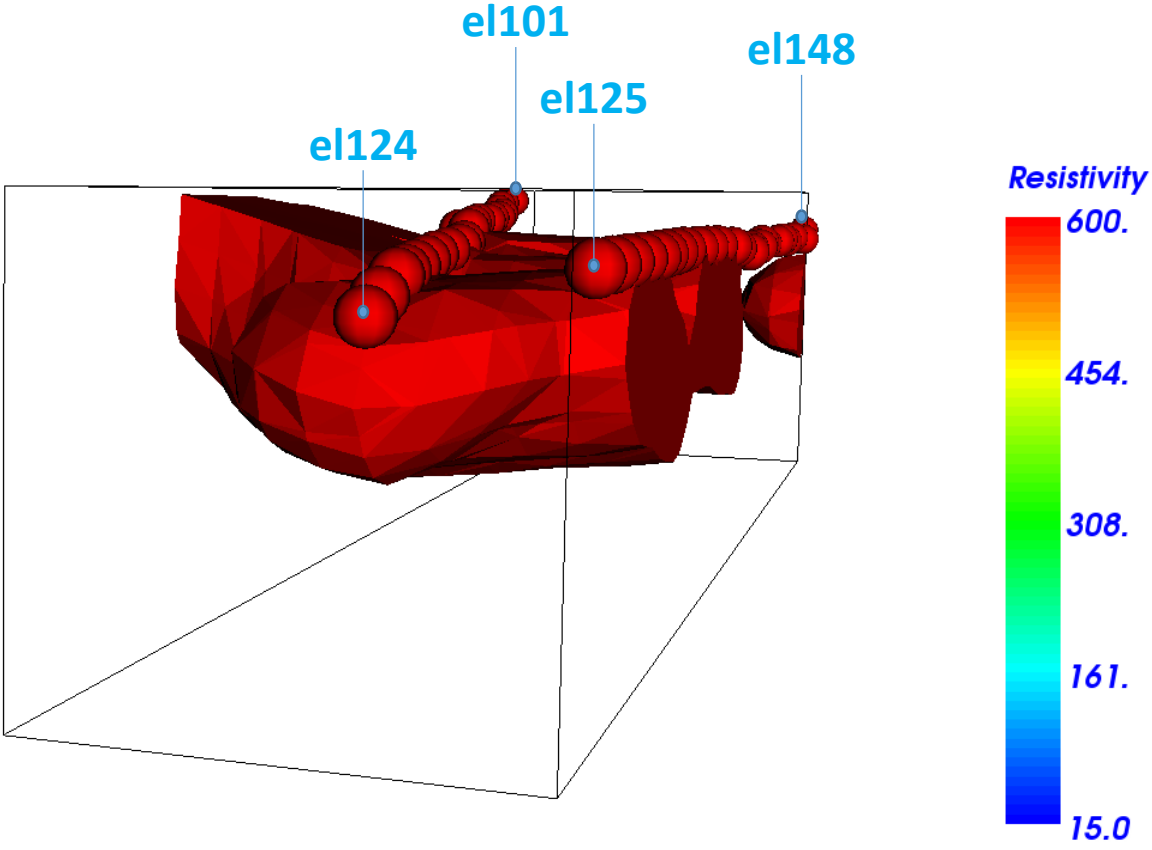
Volume resistivity  
 $0.1 \text{ Ohm}\cdot\text{m} \leq \rho \leq 70 \text{ Ohm}\cdot\text{m}$





Volume resistivity  
 $\rho \geq 1000 \text{ Ohm} \cdot \text{m}$

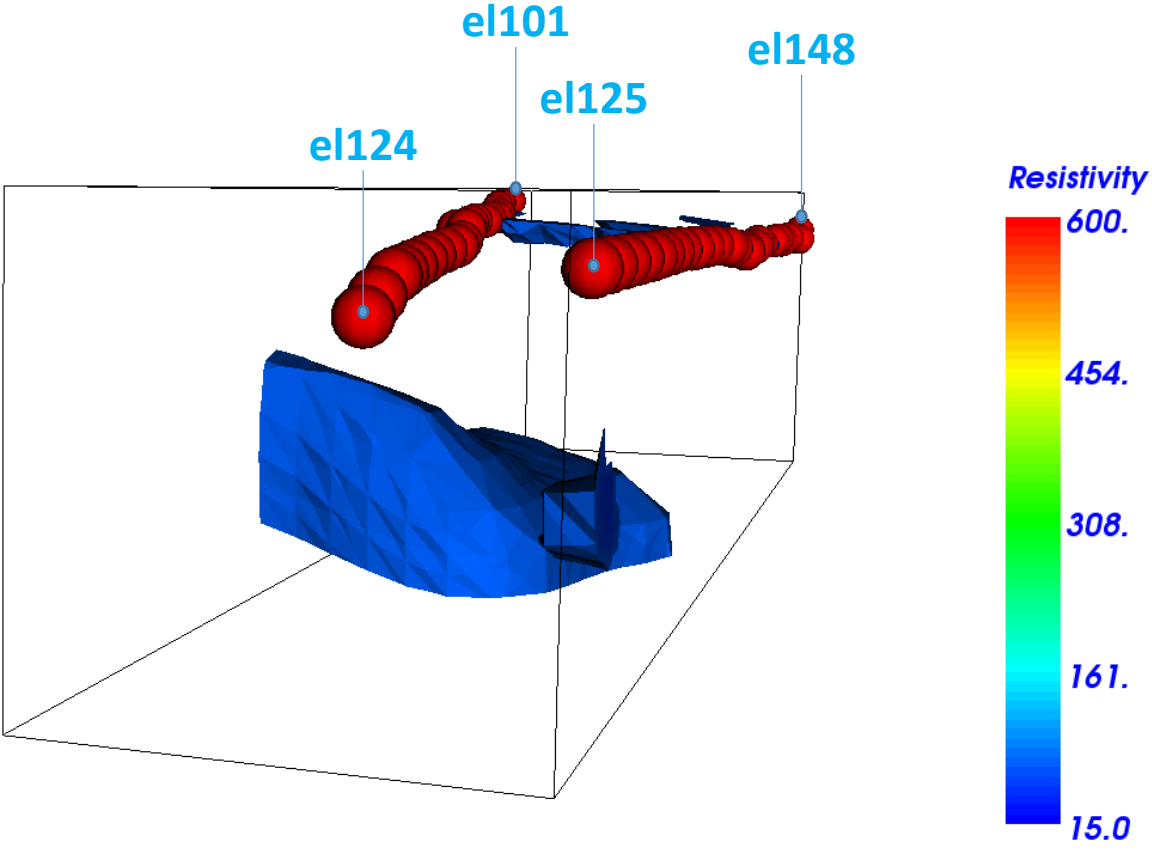
View 2



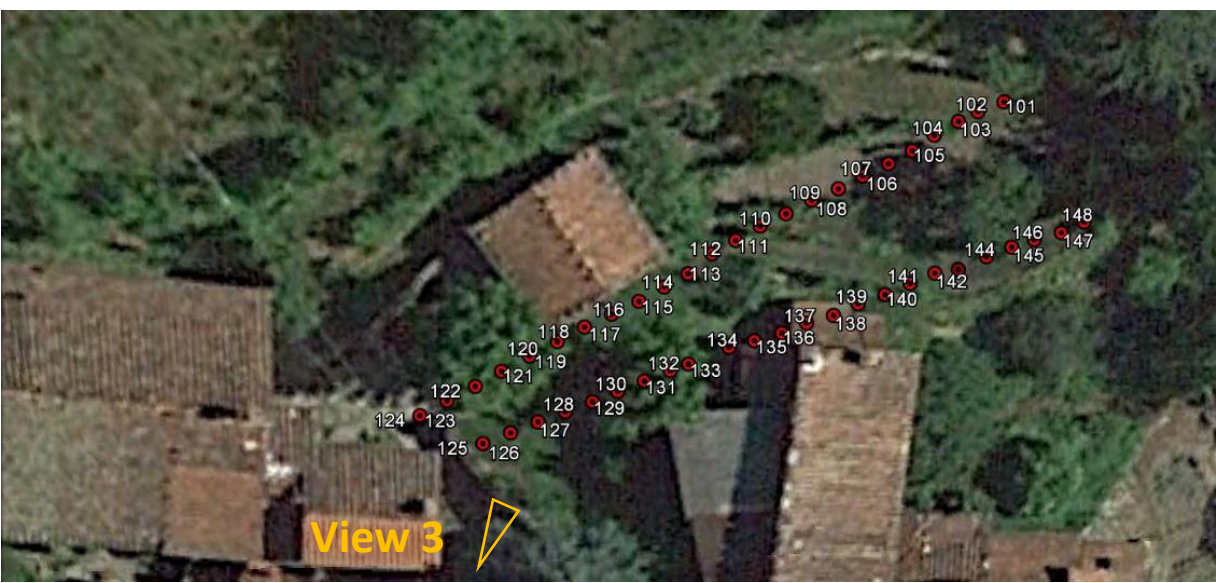




View 2



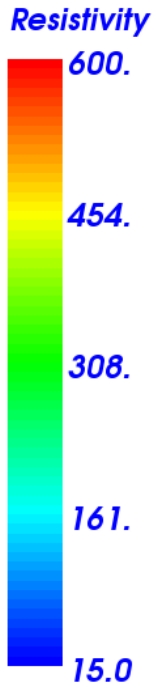
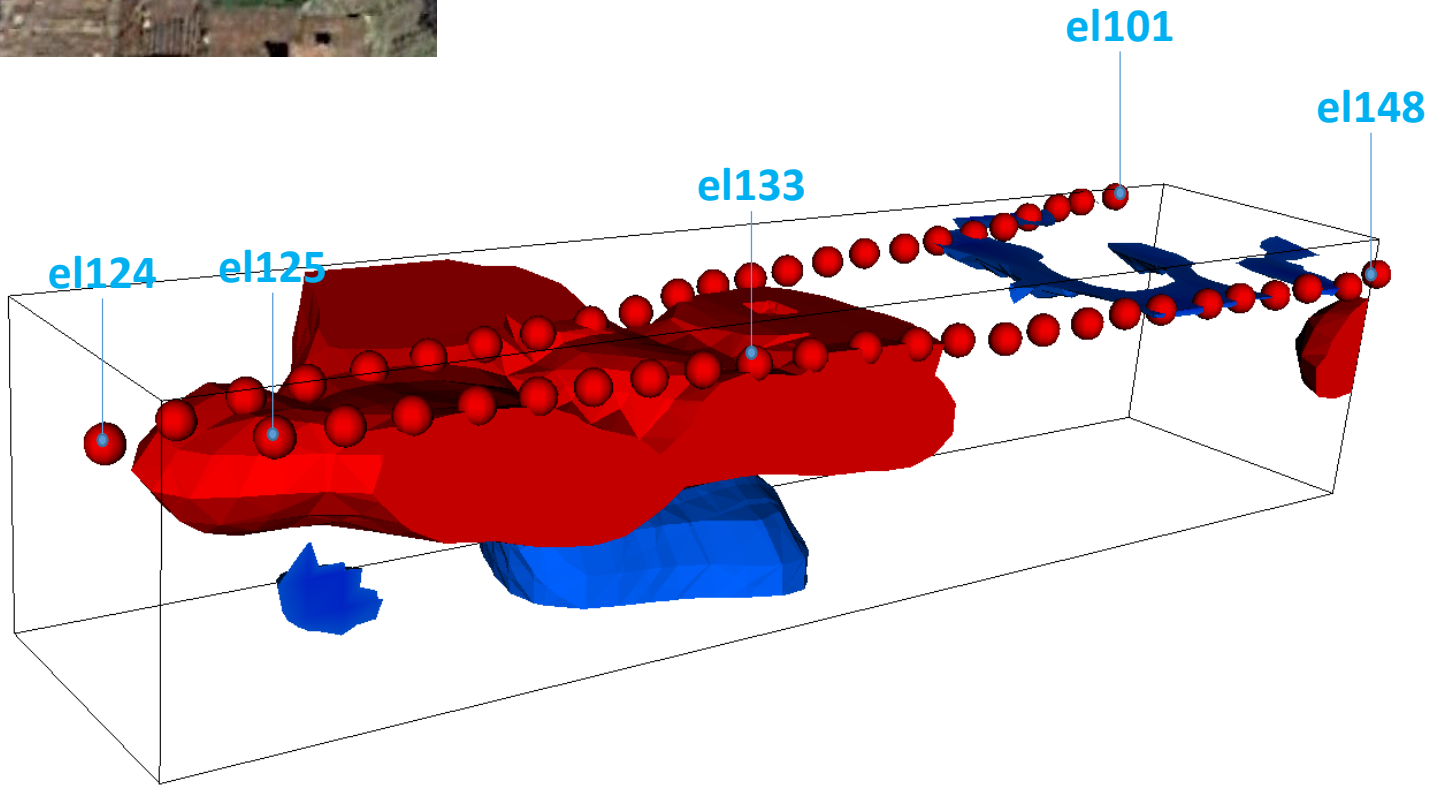
Volume resistivity  
 $0.1 \text{ Ohm}\cdot\text{m} \leq \text{Rho} \leq 70 \text{ Ohm}\cdot\text{m}$

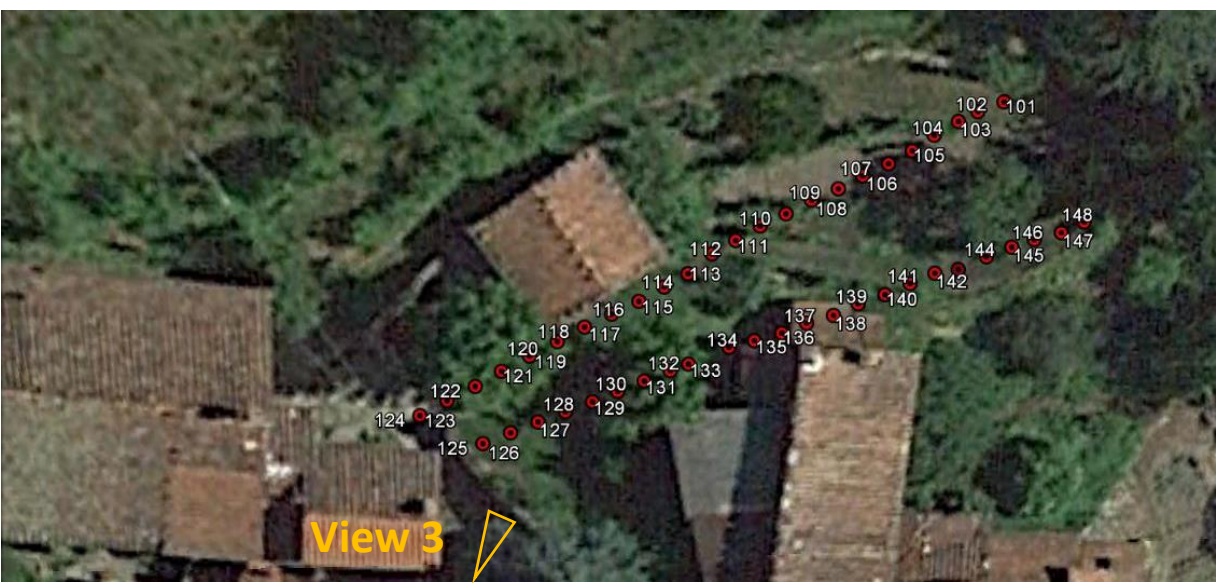


View 3

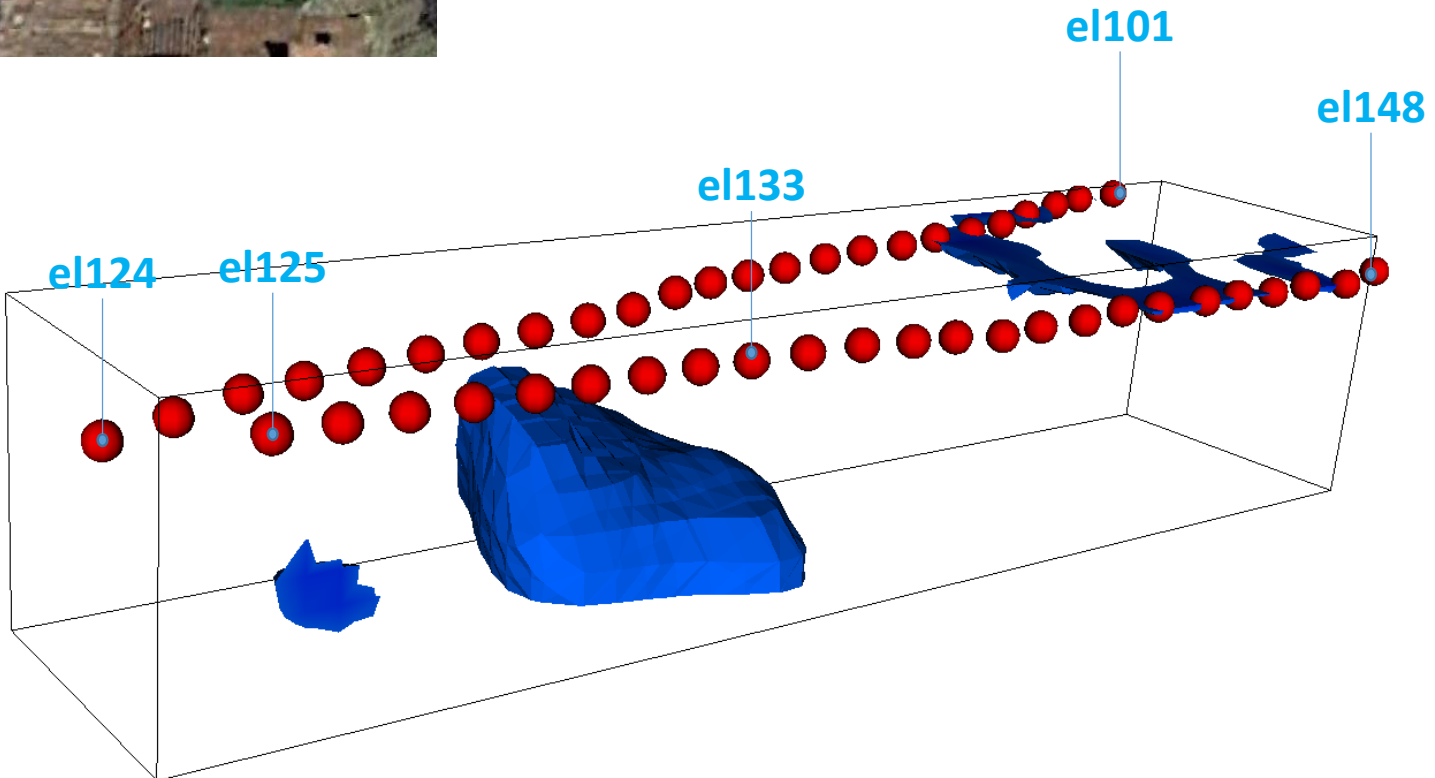
Volume resistivity  
 $\rho \geq 1000 \text{ Ohm}\cdot\text{m}$

Volume resistivity  
 $0.1 \text{ Ohm}\cdot\text{m} \leq \rho \leq 70 \text{ Ohm}\cdot\text{m}$





View 3



Volume resistivity  
 $0.1 \text{ Ohm} \cdot \text{m} \leq \rho \leq 70 \text{ Ohm} \cdot \text{m}$